

# PUO<sup>®</sup> PRESS

Precision coffee tamper

Manual  
Bedienungsanleitung

version 1.0.1

EN

DE

Zur gewerblichen  
Verwendung

## Dear coffee enthusiast,

First off we would like to congratulate you with your very own Puqpress and thank you for showing confidence in our product.

The Puqpress is a fully automatic tamper developed by people with a passion for perfect coffee and elegant technology.

Our specialists have spent all their knowledge and devotion in developing the ultimate tool to standardise the tamping pressure, a crucial parameter for a perfect cup of coffee.

Please investigate this manual closely so you and your customers will enjoy the Puqpress to the fullest and store the manual away safely after reading. If anything remains unclear please feel free to contact your authorized dealer or contact us directly.

We wish you all the fun and perfection with your new Puqpress!

Greetings from Amsterdam,

Barista Technology BV

# Table of content

<b>1</b>	<b>Safety</b>	<b>4</b>
1.1	Safety instructions	4
1.2	Personel requirements	5
<b>2</b>	<b>Technical data</b>	<b>5</b>
<b>3</b>	<b>Description</b>	<b>5</b>
<b>4</b>	<b>Set-up and basic adjustment</b>	<b>7</b>
4.1	Adjustment of port-a-filter clamp	7
4.2	Usage location	9
4.3	Set-up with Mythos	9
4.4	Electrical Installation	12
<b>5</b>	<b>Operation</b>	<b>12</b>
5.1	Normal operation of the tamper	12
5.2	Tamping force adjustment	12
5.3	Clean modus	13
<b>6</b>	<b>Remove tamper disk</b>	<b>14</b>
<b>7</b>	<b>Operating faults</b>	<b>16</b>
<b>8</b>	<b>Service</b>	<b>17</b>
<b>9</b>	<b>Spare parts</b>	<b>17</b>
<b>10</b>	<b>Warranty conditions</b>	<b>18</b>

# 1. Safety



Read all instructions and information in this manual and other literature that might be included in the package before the coffee tamper device is used.

## 1.1 Safety instructions

1. The appliance is not to be used by persons (including children) with reduced physical, sensory or mental capabilities, or lack of experience and knowledge, unless they have been given supervision or instruction
2. Children being supervised not to play with the appliance
3. This appliance can be used by children aged from 8 years and above and persons with reduced physical, sensory or mental capabilities or lack of experience and knowledge if they have been given supervision or instruction concerning use of the appliance in a safe way and understand the hazards involved
4. Cleaning and user maintenance shall not be made by children without supervision
5. Do not immerse cables , plugs or the device itself into water or other liquids to avoid electric shock, or injury.
6. Always remove the electrical plug from the outlet prior to conducting maintenance or cleaning work on the tamper.
7. Do not use the device if the cord or plug is damaged or in case of damage or breakage. Any required repairs may only be conducted by authorized service personnel. For this reason, please contact a customer service repair facility or your dealer.
8. Do not make any modifications or alterations to the tamper. The manufacturer holds absolutely no liability for damages occurring from failure to observe these instructions.
9. Do not insert your hand (or other limbs) between the tamper disk and lower clamp.

## 1.2 Personnel requirements

No special requirements are necessary for the users of this tamper. Nevertheless it is a prerequisite that these operating instructions have been carefully read and understood and that all instructions provided are observed. In addition, safety-conscious operation is expected.

## 2 Technical data

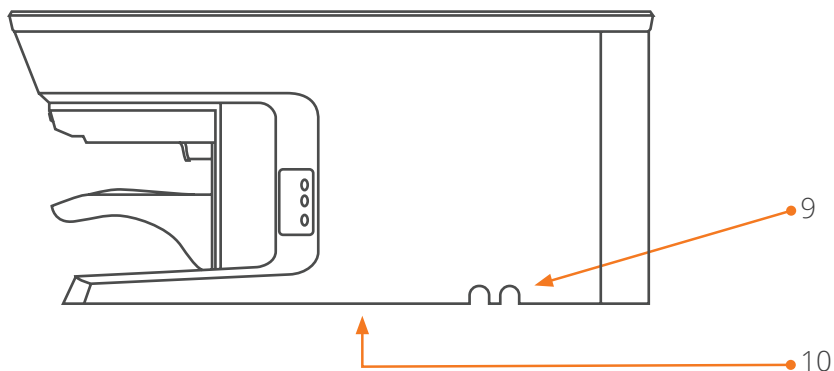
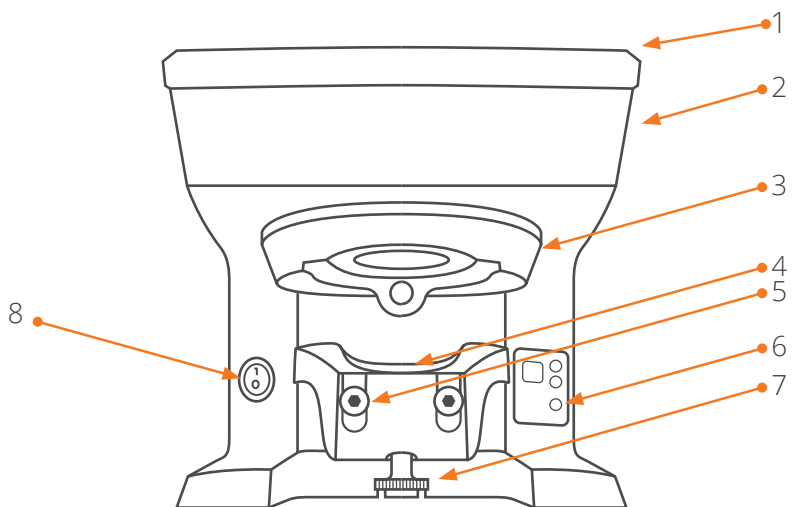
<b>Model number</b>	2-000-01XX-2, 2-000-02XX-2, 2-000-03XX-2, 2-000-04XX-2, 2-000-05XX-2, 2-000-07XX-2
<b>Voltage / Frequency</b>	100-240 Vac 50-60 Hz
<b>Power</b>	76 W
<b>Dimensions [mm]</b>	W 230, D 270 , H170
<b>Weight</b>	4.5 kg (10lbs)
<b>Year built</b>	See tag plate top side
<b>Tamper diameter</b>	See tag plate top side

## 3 Description

The main components and operating elements are pictured in the illustration.

<b>Pos.</b>	<b>Part name</b>
1	Top plate

2	Main Body
3	Upper clamp
4	Lower clamp
5	Bolts to fasten lower clamp



6	Display
7	Fine adjustment wheel
8	ON/OFF switch
9	Bottom side: power entry
10	tag label

## 4 Set-up and basic adjustment

You have received your tamper in operating condition. Now you only need to adjust the port-a-filter clamp, connect the tamper to the power grid and insert drip tray. Proceed as follows:

### 4.1 Adjustment of port-a-filter clamp

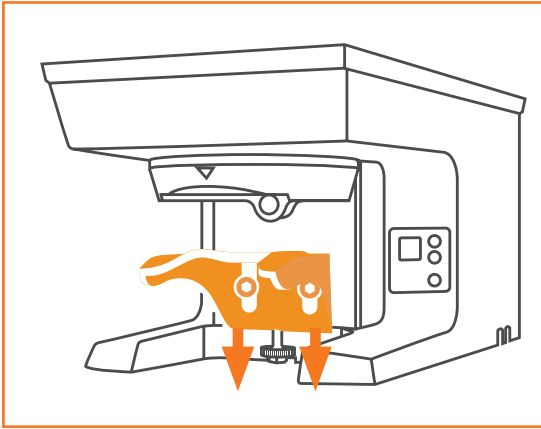
The tamper is designed so that all different portafilter from various espresso machines fit into the clamp (pos. 3 & 4 ) for even and level tamping.

If the portafilter clamp is not correctly adjusted, even and level tamping cannot be guaranteed!

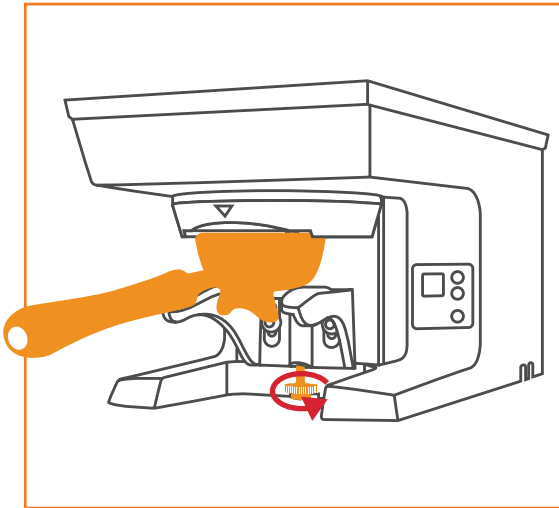
Proceed as follows for adjustment of the portafilter clamp:

1. Retract the power cord from the socket at the bottom side.

2. Slightly loosen the bolts (pos. 5) with the provided T-wrench and pull down the portafilter clamp.



3. Insert the portafilter in between the upper- and lower clamp. Turn the adjustment wheel counter-clockwise to move the lower clamp up against the portafilter.

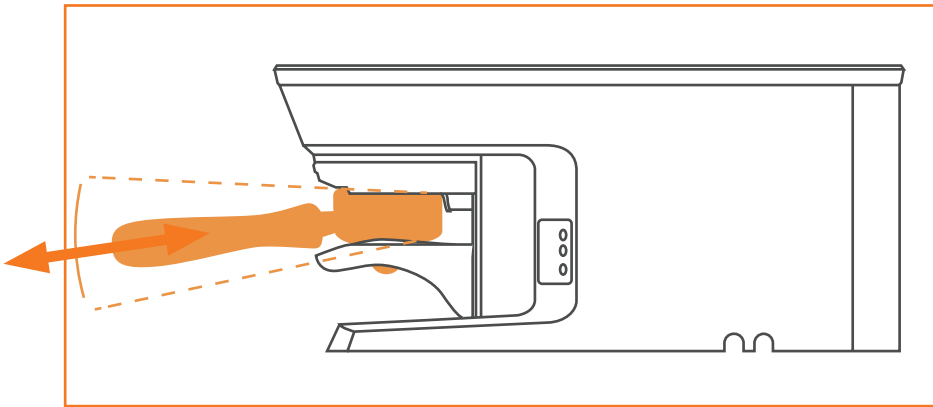


4. Refasten the bolts (pos. 5) screws slightly. Do not fasten the bolts entirely.



# Precision coffee tamper

5. Remove the port-a-filter and fasten the screws firmly.
6. Try to insert the portafilter in the clamp and check if the port-a-filter slides in the clamp easily. If the adjustment of the clamp is too loose, start again at step 2.
7. The portafilter should not wiggle!



## 4.2 Usage location



Place the tamper on a level, vibration-free surface.

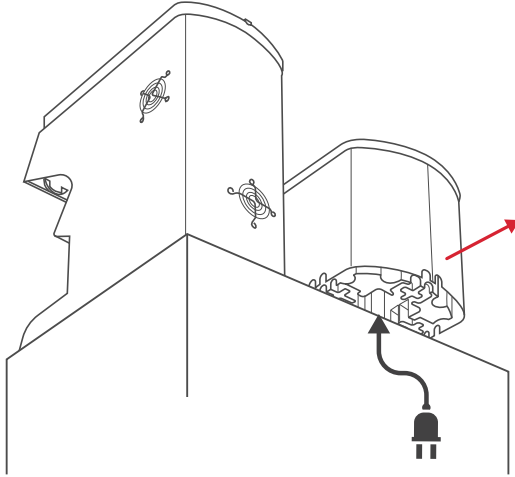
Never operate the tamper in moist, or even worse, in wet surroundings!

## 4.3 Set-up with Mythos

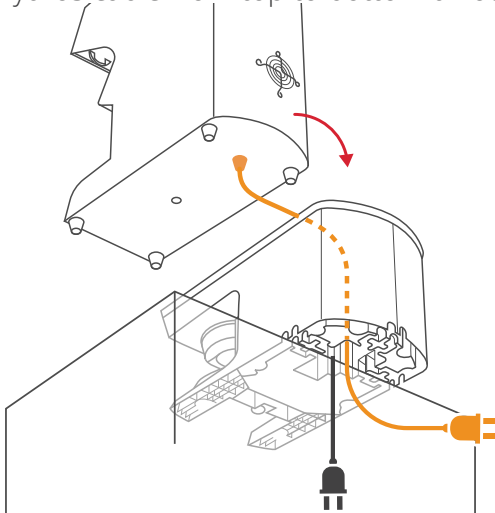


For a safe set-up with the Mythos grinder, make sure you handle it with 2 people with care.

1. Carefully slide the back of Puqpress M2 over the edge of the table or bar where you want to use your set-up. Insert the power cord in the socket at the bottom inside of the tamper.

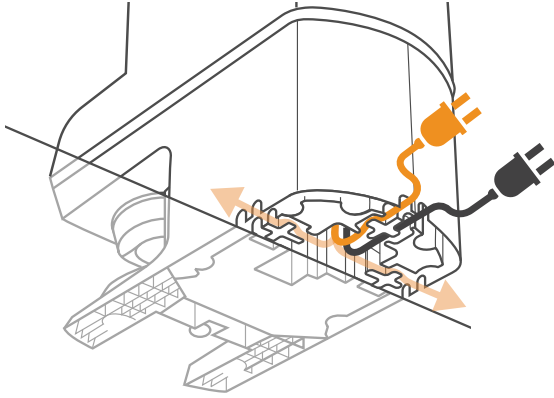


2. While lifting the Mythos to place on Puqpress M2, guide the Mythos cable from top to bottom through Puqpress.

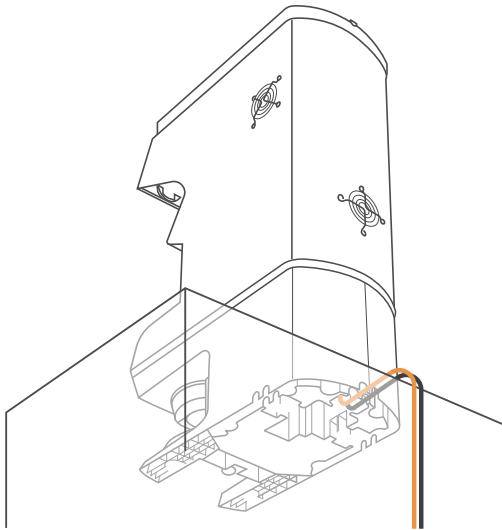


# Precision coffee tamper

3. Choose 1 of 3 directions to guide both cables out and press each cable into the cable-guide, behind the clips.



4. Slide the set-up back onto the bar or table and make sure it's standing level.



## 4.4 Electrical installation



A damaged power cable must be replaced immediately. Let the defective cords and plugs be replaced immediately at a customer service repair facility or your dealer.

1. Insert the power cord in the socket at the bottom inside of the tamper.
2. Insert the plug into the corresponding grounded outlet.
3. Switch on the tamper using the main switch at the back side (pos. 12).

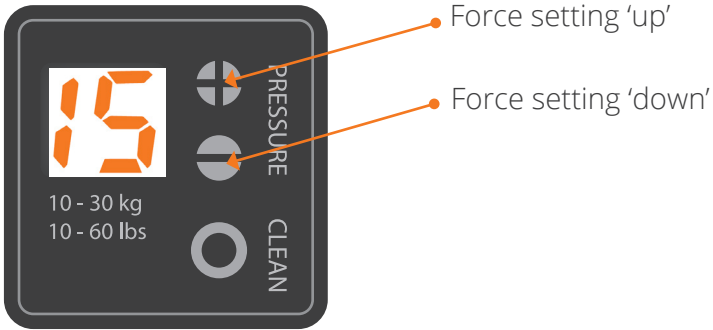
# 5 Operation

## 5.1 Normal operation of the tamper

1. Actuate the main switch on the front side of the tamper (pos. 8).
2. Insert the port-a-filter entirely in the clamp after initial levelling of ground coffee in filter basket.
3. The tamper automatically detects the metal port-a-filter using the contactless sensor.
4. Remove the port-a-filter after a full cycle of approx. 1.5 seconds.

## 5.2 Tamping force adjustment

The tamping force (kg) can be adjusted on the display at the right side. For force adjustment use the “+” or “-” button. The force setting is presented on the display in kilograms (kg) or pounds (lbs).

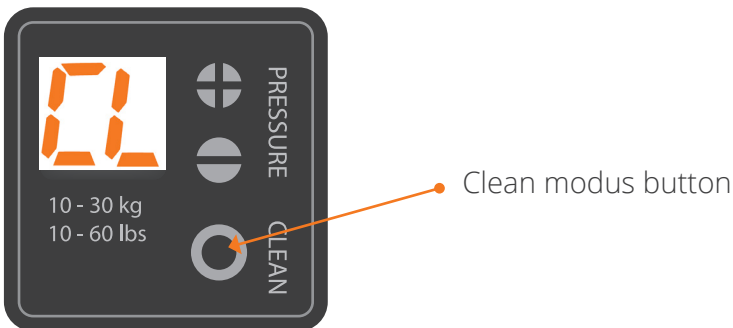


## 5.3 Clean modus

It is important to clean your tamper disk regularly. Use a brush to clean it. Do not use your fingers / hands.

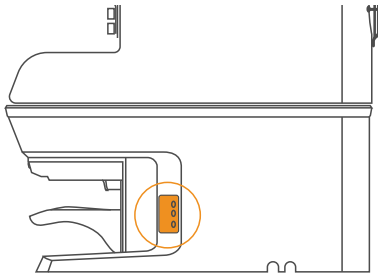
For cleaning the tamper disk proceed the following:

1. Press the clean modus button .
2. The tamper moves down in final position.
3. Clean the tamper disk using a brush or similar object.
4. Press the clean modus button again and tamper moves upwards in initial starting position.

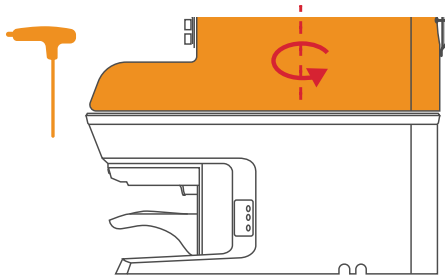


## 6 Remove tamper disk

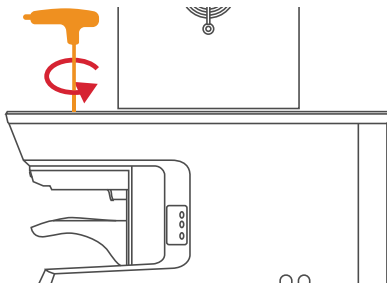
1. Put the unit in 'cleaning' mode: tamper disk goes down in lowest position.



2. Turn the Mythos 90 degrees and get the Allen key.

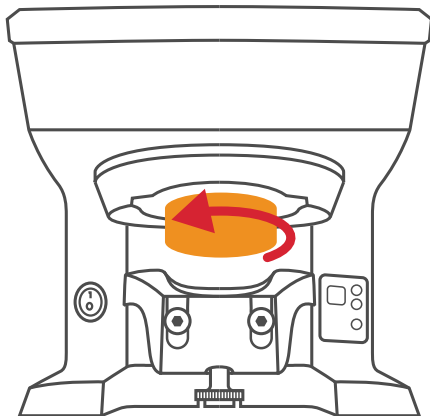


3. Unscrew by turning counter-clockwise and remove the bolt. (M5x50mm)



# Precision coffee tamper

4. Unscrew the tamper disk. NOTE: this is left-handed thread! See direction to remove below:



## 7 Operating faults

<b>Defect</b>	<b>Cause</b>	<b>Remedy</b>
Ground coffee sticks to the tamper disk.	The tamper disk is greasy or dirty.	Use the clean modus and clean the tamper disk.
	The tamper disk is wet.	Use the clean modus and dry the tamper disk.
The tamper does not start, the display does not work.	The main plug is not inserted.	Insert the main plug in the socket and/or (wall) outlet.
The tamping operation does not start while the clean modus is still working.	Sensor does not detect a port-a-filter because it is not inserted completely.	Re-adjust the port-a-filter clamp as is explained in section 4.1.
The tamper does not tamp level and even.	The adjustment of the clamp is too loose.	Re-adjust the port-a-filter clamp as is explained in section 4.1.
	Coffee ground is not levelled before tamping.	Level the ground coffee in filter basket before tamping.



In the case of other malfunctions or continued faults, please contact your dealer or your authorised customer service centre.

## 8 Service

Always pull out the main plug from the socket before carrying out maintenance or cleaning work on the tamper!

Any required repairs may only be conducted by authorized specialist personnel. For this reason, please contact a customer service repair facility or your dealer. Please observe the safety instructions under 1.1.

It is advised to conduct all maintenance and repairs by the customer service centre or your dealer.

If you have a new espresso machine with different tamper diameter, please contact your local dealer. They can provide new tamping disk and handle the procedure to interchange the disks.

## 9 Spare parts

Spare parts can be ordered from your customer service centre or your local dealer. To ensure quick and correct processing of your order, the following information is essential:

- 1) Serial number
- 2) Description of the part to be replaced according to section 3.

## 10 Warranty Conditions

1. The warranty period is 1 year from the date of purchase.
2. The warranty covers all damages that can be attributed to inferior materials or defective workmanship. The corresponding tamper will be repaired or replaced free-of-charge, with the exception of transport or freight charges. Proper transport is the responsibility of the customer so please try to avoid damages during a product return by correctly packing the device.
3. This warranty does not cover damages which have occurred through: improper usage, improper maintenance, lack of servicing, usage for purposes other than those intended, incorrect installation, breakage, natural wear or for reasons beyond our sphere of influence.
4. In order to maintain the warranty, only original spare parts and accessory parts may be used.
5. The manufacturer is in no way liable for consecutive or secondary damages.
6. The warranty does not cover costs resulting from repairs conducted by non-authorized personnel.

